

Variable Area Flow Meters

For simple and accurate measurement of fluids and gases

Pressure range

Nominal pressure 10 bar at 20 °C

Materials

Tube: Polyamid, Polysulphone, PVDF
and PVC-U transparent

Float: PVDF, PTFE

End stops: PVDF

Screw connection: PVC-U (PP, PVDF, ABS)

O-ring: EPDM (FPM)

Guiding rod: Peek

Calibrated scales

The standard version comes with a printed on double scale: a percentage scale and a scale giving flow rate (H2O l/h).

The special scales come as a sticker and need to be fitted to a blank taper tube. The scales are adhesive bonded to the tube and are printed with a special hard wearing paint.

Standard scale:

l/h

Special scales:

m³/h, GPM

Scales for other liquids:

HCl 30-33%, NaOH 30%, Na-OH 50% and air

Related Documents

Variable Area Flow Meter Technical & Installation Guide

Chemical resistance list

	Chemical			PVC-U	Trogamid	PSU	PVDF	Peek
Acid	phosphoric acid	H3PO4	75%	X	O	X	X	X
	sulfuric acid	H2SO4	<90%	X	-	-	X	-
	nitric acid	HNO3	<55%	X	-	-	X	-
	nitric acid	HNO3	67%	-	-	-	X	-
	hydrofluoric acid	HF	<70%	X	-	-	X	-
	hydrochloric acid	HCl	36%	X	O	X	X	O
Base	ammonia	NH4OH	25%	X	X	X	-	X
	caustic potash	KOH	>50%	X	O	X	-	X
	caustic soda	NaOH	<50%	X	O	X	-	X
Anorganica	ferric chloride	FeCl3	X	X	X	X	X	
	sodium hydrochloride	NaOCl	15%	X	X	X	-	X
	sodium bisulfite	NaHSO3	<40%	X	X	X	X	X
	hydrogen peroxide	H2O2	35%	X	-	X	O	X
	aqueous inorganic sline solutions (not oxidizing)	til saturation		X	X	X	X	X
Organica	formic acid	HCOOH	85%	O	-	O	O	O
	acetic acid	CH3COOH	85%	O	-	O	O	O
	formaldehyde	H2CO	<40%	X	-	X	O	X
	glycol		<50%	O	-	X	X	X
	acetone	undiluted		-	O	-	O	X
	ethanol, methanol	undiluted		O	-	X	X	X
	aliphatic hydrocarbons	undiluted		O	X	X	X	X

Valid for 40°C and 2bar

X: recommended

O: with limitations

-: not recommended

For higher or lower concentrations than mentioned in the list or entry "O", please contact Plastic Systems

PRICES INDICATED DO NOT INCLUDE GST



Asmuss Plastic Systems Limited

FREEPHONE: 0800 000 546 Facsimile: (64) (9) 477 - 2328

sales@plasticsystems.co.nz

34 Arrenway Drive, North Shore City 0632

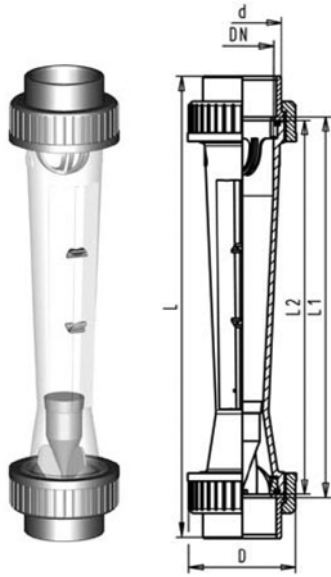
P.O. Box 100244, North Shore City 0745, Auckland, NZ



Pipe • Fittings • Valving • Measurement & Control

www.plasticsystems.co.nz

335 Series Variable Area Flow Meters



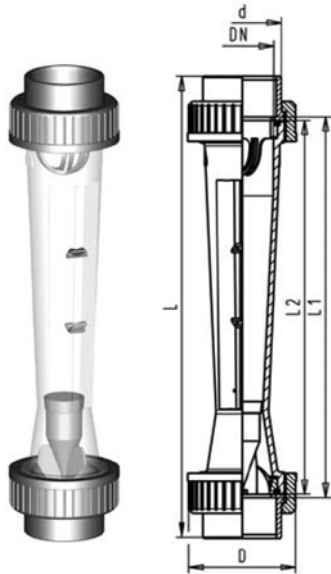
Range (Ltr / hr)	D (mm)	L (mm)	L1 (mm)	L2 (mm)	G (inch)
50-500	58	385	341	335	1½
100-1000	58	385	341	335	1½
150-1500	72	393	341	335	2
250-2500	72	393	341	335	2
200-2000	83	403	341	335	2¼
300-3000	83	403	341	335	2¼
600-6000	83	403	341	335	2¼
600-6000	101	417	341	335	2¾
1000-10000	101	417	341	335	2¾
1500-15000	101	417	341	335	2¾
2000-20000	135	429	341	335	3½
3000-30000	135	429	341	335	3½
8000-60000	135	429	341	335	3½

	CODE:	Range (Ltr / hr)	Size (NB)	Price
Type 335, PVC Without Magnet	VGf335000	50-500	25	
	VGf335001	100-1000	25	
	VGf335002	150-1500	32	
	VGf335003	250-2500	32	
	VGf335004	200-2000	40	
	VGf335005	300-3000	40	
	VGf335006	600-6000	40	
	VGf335007	600-6000	50	
	VGf335008	1000-10000	50	
	VGf335009	1500-15000	50	
	VGf335010	2000-20000	65	
	VGf335011	3000-30000	65	
	VGf335012	8000-60000	65	
Type 335, PVC With Magnet	VGf335100M	50-500	25	
	VGf335101M	100-1000	25	
	VGf335102M	150-1500	32	
	VGf335103M	250-2500	32	
	VGf335104M	200-2000	40	
	VGf335105M	300-3000	40	
	VGf335106M	600-6000	40	
	VGf335107M	600-6000	50	
	VGf335108M	1000-10000	50	
	VGf335109M	1500-15000	50	
	VGf335110M	2000-20000	65	
	VGf335111M	3000-30000	65	
VGf335112M	8000-60000	65		

	CODE:	Range (Ltr / hr)	Size (NB)	Price
Type 335, PSU Without Magnet	VGfPSU335040	50-500	25	
	VGfPSU335041	100-1000	25	
	VGfPSU335042	150-1500	32	
	VGfPSU335043	250-2500	32	
	VGfPSU335044	200-2000	40	
	VGfPSU335045	300-3000	40	
	VGfPSU335046	600-6000	40	
	VGfPSU335047	600-6000	50	
	VGfPSU335048	1000-10000	50	
	VGfPSU335049	1500-15000	50	
	VGfPSU335050	2000-20000	65	
	VGfPSU335051	3000-30000	65	
VGfPSU335052	8000-60000	65		
Type 335, PSU With Magnet	VGfPSU335140M	50-500	25	
	VGfPSU335141M	100-1000	25	
	VGfPSU335142M	150-1500	32	
	VGfPSU335143M	250-2500	32	
	VGfPSU335144M	200-2000	40	
	VGfPSU335145M	300-3000	40	
	VGfPSU335146M	600-6000	40	
	VGfPSU335147M	600-6000	50	
	VGfPSU335148M	1000-10000	50	
	VGfPSU335149M	1500-15000	50	
	VGfPSU335150M	2000-20000	65	
	VGfPSU335151M	3000-30000	65	
VGfPSU335152M	8000-60000	65		

PVDF and Trogamid (Polyamid) Options available on request

350 Series Variable Area Flow Meters



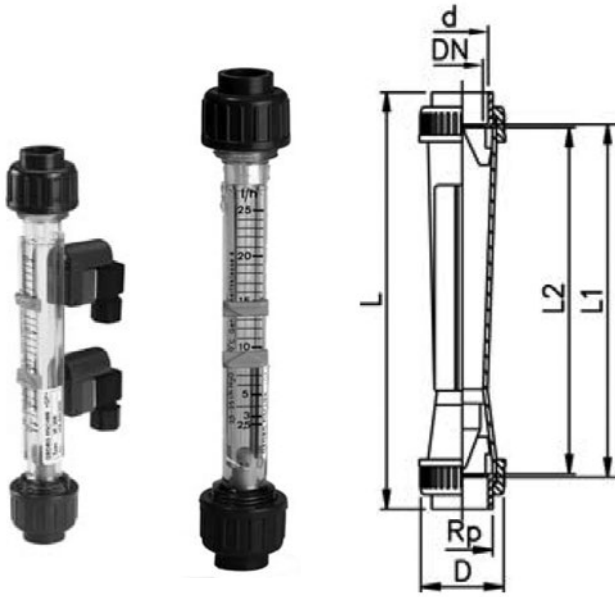
Range (Ltr / hr)	D (mm)	L (mm)	L1 (mm)	L2 (mm)	G (inch)
50-500	58	400	356	350	1½
100-1000	58	400	356	350	1½
150-1500	72	408	356	350	2
250-2500	72	408	356	350	2
200-2000	83	418	356	350	2¼
300-3000	83	418	356	350	2¼
600-6000	83	418	356	350	2¼
600-6000	101	432	356	350	2¾
1000-10000	101	432	356	350	2¾
1500-15000	101	432	356	350	2¾
2000-20000	135	444	356	350	3½
3000-30000	135	444	356	350	3½
8000-60000	135	444	356	350	3½

	CODE:	Range (Ltr / hr)	Size (NB)	Price
Type 350, PVC Without Magnet	VGf350000	50-500	25	
	VGf350001	100-1000	25	
	VGf350002	150-1500	32	
	VGf350003	250-2500	32	
	VGf350004	200-2000	40	
	VGf350005	300-3000	40	
	VGf350006	600-6000	40	
	VGf350007	600-6000	50	
	VGf350008	1000-10000	50	
	VGf350009	1500-15000	50	
	VGf350010	2000-20000	65	
	VGf350011	3000-30000	65	
	VGf350012	8000-60000	65	
Type 350, PVC With Magnet	VGf350100M	50-500	25	
	VGf350101M	100-1000	25	
	VGf350102M	150-1500	32	
	VGf350103M	250-2500	32	
	VGf350104M	200-2000	40	
	VGf350105M	300-3000	40	
	VGf350106M	600-6000	40	
	VGf350107M	600-6000	50	
	VGf350108M	1000-10000	50	
	VGf350109M	1500-15000	50	
	VGf350110M	2000-20000	65	
	VGf350111M	3000-30000	65	
	VGf350112M	8000-60000	65	

	CODE:	Range (Ltr / hr)	Size (NB)	Price
Type 350, PSU Without Magnet	VGfPSU350040	50-500	25	
	VGfPSU350041	100-1000	25	
	VGfPSU350042	150-1500	32	
	VGfPSU350043	250-2500	32	
	VGfPSU350044	200-2000	40	
	VGfPSU350045	300-3000	40	
	VGfPSU350046	600-6000	40	
	VGfPSU350047	600-6000	50	
	VGfPSU350048	1000-10000	50	
	VGfPSU350049	1500-15000	50	
	VGfPSU350050	2000-20000	65	
	VGfPSU350051	3000-30000	65	
VGfPSU350052	8000-60000	65		
Type 350, PSU With Magnet	VGfPSU350140M	50-500	25	
	VGfPSU350141M	100-1000	25	
	VGfPSU350142M	150-1500	32	
	VGfPSU350143M	250-2500	32	
	VGfPSU350144M	200-2000	40	
	VGfPSU350145M	300-3000	40	
	VGfPSU350146M	600-6000	40	
	VGfPSU350147M	600-6000	50	
	VGfPSU350148M	1000-10000	50	
	VGfPSU350149M	1500-15000	50	
	VGfPSU350150M	2000-20000	65	
	VGfPSU350151M	3000-30000	65	
VGfPSU350152M	8000-60000	65		

PVDF and Trogamid (Polyamid) Options available on request

Short Version Variable Area Flow Meters



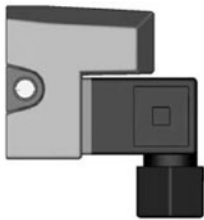
Range (Ltr / hr)	D (mm)	L (mm)	L1 (mm)	L2 (mm)	Rp (inch)
2.5-25	35	199	171	165	3/8
5-50	35	199	171	165	3/8
10-100	35	199	171	165	3/8
8-80	43	223	191	185	1/2
15-150	43	223	191	185	1/2
20-200	43	223	191	185	1/2
15-150	60	250	206	200	1
30-300	60	250	206	200	1
50-500	60	250	206	200	1
100-1000	60	250	206	200	1

CODE:		Range (Ltr / hr)	Size (NB)	Price
Short Version PVC Without Magnet	SKPVC50/010	2.5-25	10	
	SKPVC51/010	5-50	10	
	SKPVC52/010	10-100	10	
	SKPVC60/015	8-80	15	
	SKPVC61/015	15-150	15	
	SKPVC62/015	20-200	15	
	SKPVC70/025	15-150	25	
	SKPVC71/025	30-300	25	
	SKPVC72/025	50-500	25	
SKPVC73/025	100-1000	25		
Short Version PVC With Magnet	SKPVC500/010	2.5-25	10	
	SKPVC510/010	5-50	10	
	SKPVC520/010	10-100	10	
	SKPVC600/015	8-80	15	
	SKPVC610/015	15-150	15	
	SKPVC620/015	20-200	15	
	SKPVC700/025	15-150	25	
	SKPVC710/025	30-300	25	
	SKPVC720/025	50-500	25	
SKPVC730/025	100-1000	25		

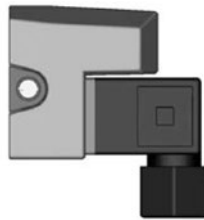
CODE:		Range (Ltr / hr)	Size (NB)	Price
Short Version PSU Without Magnet	SKPSU50/010	2.5-25	10	
	SKPSU51/010	5-50	10	
	SKPSU52/010	10-100	10	
	SKPSU60/015	8-80	15	
	SKPSU61/015	15-150	15	
	SKPSU62/015	20-200	15	
	SKPSU70/025	15-150	25	
	SKPSU71/025	30-300	25	
	SKPSU72/025	50-500	25	
SKPSU73/025	100-1000	25		
Short Version PSU With Magnet	SKPSU500/010	2.5-25	10	
	SKPSU510/010	5-50	10	
	SKPSU520/010	10-100	10	
	SKPSU600/015	8-80	15	
	SKPSU610/015	15-150	15	
	SKPSU620/015	20-200	15	
	SKPSU700/025	15-150	25	
	SKPSU710/025	30-300	25	
	SKPSU720/025	50-500	25	
SKPSU730/025	100-1000	25		

Limit Switches for Type 335, 350 & Short Version

CODE:		Type	Price
Limit Contact Minimum	VAGK10	min	



CODE:		Type	Price
Limit Contact Maximum	VAGK11	max	



Please refer to our Installation Guide