

Variable Area Flow Meters

For simple and accurate measurement of fluids and gases

Pressure range

Nominal pressure 10 bar at 20 °C

Materials

Tube: Polyamid, Polysulphone, PVDF
and PVC-U transparent

Float: PVDF, PTFE

End stops: PVDF

Screw connection: PVC-U (PP, PVDF, ABS)

O-ring: EPDM (FPM)

Guiding rod: Peek

Calibrated scales

The standard version comes with a printed on double scale: a percentage scale and a scale giving flow rate (H2O l/h).

The special scales come as a sticker and need to be fitted to a blank taper tube. The scales are adhesive bonded to the tube and are printed with a special hard wearing paint.

Standard scale:

l/h

Special scales:

m³/h, GPM

Scales for other liquids:

HCl 30-33%, NaOH 30%, Na-OH 50% and air

Related Documents

Variable Area Flow Meter Technical & Installation Guide

Chemical resistance list

	Chemical			PVC-U	Trogamid	PSU	PVDF	Peek
Acid	phosphoric acid	H3PO4	75%	X	O	X	X	X
	sulfuric acid	H2SO4	<90%	X	-	-	X	-
	nitric acid	HNO3	<55%	X	-	-	X	-
	nitric acid	HNO3	67%	-	-	-	X	-
	hydrofluoric acid	HF	<70%	X	-	-	X	-
	hydrochloric acid	HCl	36%	X	O	X	X	O
Base	ammonia	NH4OH	25%	X	X	X	-	X
	caustic potash	KOH	>50%	X	O	X	-	X
	caustic soda	NaOH	<50%	X	O	X	-	X
Anorganica	ferric chloride	FeCl3	X	X	X	X	X	
	sodium hydrochloride	NaOCl	15%	X	X	X	-	X
	sodium bisulfite	NaHSO3	<40%	X	X	X	X	X
	hydrogen peroxide	H2O2	35%	X	-	X	O	X
	aqueous inorganic sline solutions (not oxidizing)	til saturation		X	X	X	X	X
Organica	formic acid	HCOOH	85%	O	-	O	O	O
	acetic acid	CH3COOH	85%	O	-	O	O	O
	formaldehyde	H2CO	<40%	X	-	X	O	X
	glycol		<50%	O	-	X	X	X
	acetone	undiluted		-	O	-	O	X
	ethanol, methanol	undiluted		O	-	X	X	X
	aliphatic hydrocarbons	undiluted		O	X	X	X	X

Valid for 40°C and 2bar

X: recommended

O: with limitations

-: not recommended

For higher or lower concentrations than mentioned in the list or entry "O", please contact Asmuss Group

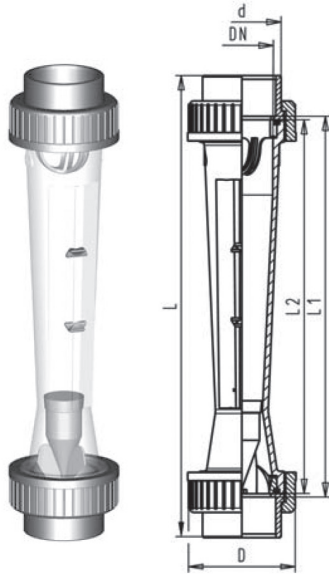
PRICES INDICATED DO NOT INCLUDE GST



Variable Area Flow Meters

For simple and accurate measurement of fluids and gases

335 Series Variable Area Flow Meters



Range (Ltr / hr)	D (mm)	L (mm)	L1 (mm)	L2 (mm)	G (inch)
50-500	58	385	341	335	1½
100-1000	58	385	341	335	1½
150-1500	72	393	341	335	2
250-2500	72	393	341	335	2
200-2000	83	403	341	335	2¼
300-3000	83	403	341	335	2¼
600-6000	83	403	341	335	2¼
600-6000	101	417	341	335	2¾
1000-10000	101	417	341	335	2¾
1500-15000	101	417	341	335	2¾
2000-20000	135	429	341	335	3½
3000-30000	135	429	341	335	3½
8000-60000	135	429	341	335	3½

	CODE:	Range (Ltr / hr)	Size (NB)	Price
Type 335, PVC Without Magnet	VGf335000	50-500	25	
	VGf335001	100-1000	25	
	VGf335002	150-1500	32	
	VGf335003	250-2500	32	
	VGf335004	200-2000	40	
	VGf335005	300-3000	40	
	VGf335006	600-6000	40	
	VGf335007	600-6000	50	
	VGf335008	1000-10000	50	
	VGf335009	1500-15000	50	
	VGf335010	2000-20000	65	
	VGf335011	3000-30000	65	
	VGf335012	8000-60000	65	
Type 335, PVC With Magnet	VGf335100M	50-500	25	
	VGf335101M	100-1000	25	
	VGf335102M	150-1500	32	
	VGf335103M	250-2500	32	
	VGf335104M	200-2000	40	
	VGf335105M	300-3000	40	
	VGf335106M	600-6000	40	
	VGf335107M	600-6000	50	
	VGf335108M	1000-10000	50	
	VGf335109M	1500-15000	50	
	VGf335110M	2000-20000	65	
	VGf335111M	3000-30000	65	
VGf335112M	8000-60000	65		

	CODE:	Range (Ltr / hr)	Size (NB)	Price
Type 335, PSU Without Magnet	VGfPSU335040	50-500	25	
	VGfPSU335041	100-1000	25	
	VGfPSU335042	150-1500	32	
	VGfPSU335043	250-2500	32	
	VGfPSU335044	200-2000	40	
	VGfPSU335045	300-3000	40	
	VGfPSU335046	600-6000	40	
	VGfPSU335047	600-6000	50	
	VGfPSU335048	1000-10000	50	
	VGfPSU335049	1500-15000	50	
	VGfPSU335050	2000-20000	65	
	VGfPSU335051	3000-30000	65	
	VGfPSU335052	8000-60000	65	
Type 335, PSU With Magnet	VGfPSU335140M	50-500	25	
	VGfPSU335141M	100-1000	25	
	VGfPSU335142M	150-1500	32	
	VGfPSU335143M	250-2500	32	
	VGfPSU335144M	200-2000	40	
	VGfPSU335145M	300-3000	40	
	VGfPSU335146M	600-6000	40	
	VGfPSU335147M	600-6000	50	
	VGfPSU335148M	1000-10000	50	
	VGfPSU335149M	1500-15000	50	
	VGfPSU335150M	2000-20000	65	
	VGfPSU335151M	3000-30000	65	
VGfPSU335152M	8000-60000	65		

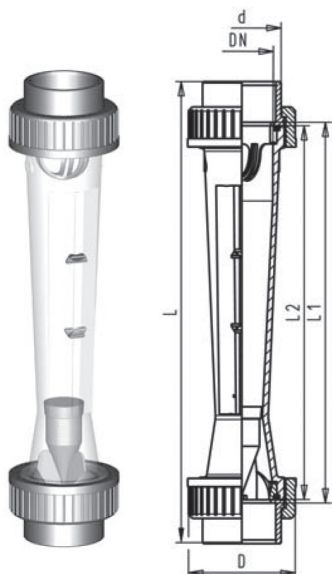
PVDF and Trogamid (Polyamid) Options available on request



Variable Area Flow Meters

For simple and accurate measurement of fluids and gases

350 Series Variable Area Flow Meters



Range (Ltr / hr)	D (mm)	L (mm)	L1 (mm)	L2 (mm)	G (inch)
50-500	58	400	356	350	1½
100-1000	58	400	356	350	1½
150-1500	72	408	356	350	2
250-2500	72	408	356	350	2
200-2000	83	418	356	350	2¼
300-3000	83	418	356	350	2¼
600-6000	83	418	356	350	2¼
600-6000	101	432	356	350	2¾
1000-10000	101	432	356	350	2¾
1500-15000	101	432	356	350	2¾
2000-20000	135	444	356	350	3½
3000-30000	135	444	356	350	3½
8000-60000	135	444	356	350	3½

	CODE:	Range (Ltr / hr)	Size (NB)	Price
Type 350, PVC Without Magnet	VGf350000	50-500	25	
	VGf350001	100-1000	25	
	VGf350002	150-1500	32	
	VGf350003	250-2500	32	
	VGf350004	200-2000	40	
	VGf350005	300-3000	40	
	VGf350006	600-6000	40	
	VGf350007	600-6000	50	
	VGf350008	1000-10000	50	
	VGf350009	1500-15000	50	
	VGf350010	2000-20000	65	
	VGf350011	3000-30000	65	
	VGf350012	8000-60000	65	
Type 350, PVC With Magnet	VGf350100M	50-500	25	
	VGf350101M	100-1000	25	
	VGf350102M	150-1500	32	
	VGf350103M	250-2500	32	
	VGf350104M	200-2000	40	
	VGf350105M	300-3000	40	
	VGf350106M	600-6000	40	
	VGf350107M	600-6000	50	
	VGf350108M	1000-10000	50	
	VGf350109M	1500-15000	50	
	VGf350110M	2000-20000	65	
	VGf350111M	3000-30000	65	
VGf350112M	8000-60000	65		

	CODE:	Range (Ltr / hr)	Size (NB)	Price
Type 350, PSU Without Magnet	VGfPSU350040	50-500	25	
	VGfPSU350041	100-1000	25	
	VGfPSU350042	150-1500	32	
	VGfPSU350043	250-2500	32	
	VGfPSU350044	200-2000	40	
	VGfPSU350045	300-3000	40	
	VGfPSU350046	600-6000	40	
	VGfPSU350047	600-6000	50	
	VGfPSU350048	1000-10000	50	
	VGfPSU350049	1500-15000	50	
	VGfPSU350050	2000-20000	65	
	VGfPSU350051	3000-30000	65	
VGfPSU350052	8000-60000	65		
Type 350, PSU With Magnet	VGfPSU350140M	50-500	25	
	VGfPSU350141M	100-1000	25	
	VGfPSU350142M	150-1500	32	
	VGfPSU350143M	250-2500	32	
	VGfPSU350144M	200-2000	40	
	VGfPSU350145M	300-3000	40	
	VGfPSU350146M	600-6000	40	
	VGfPSU350147M	600-6000	50	
	VGfPSU350148M	1000-10000	50	
	VGfPSU350149M	1500-15000	50	
	VGfPSU350150M	2000-20000	65	
	VGfPSU350151M	3000-30000	65	
VGfPSU350152M	8000-60000	65		

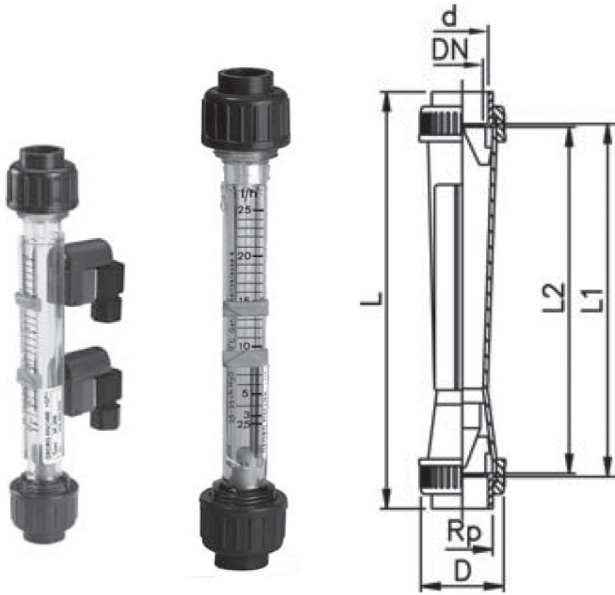
PVDF and Trogamid (Polyamid) Options available on request



Variable Area Flow Meters

For simple and accurate measurement of fluids and gases

Short Version Variable Area Flow Meters



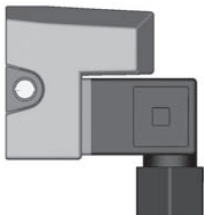
Range (Ltr / hr)	D (mm)	L (mm)	L1 (mm)	L2 (mm)	Rp (inch)
2.5-25	35	199	171	165	3/8
5-50	35	199	171	165	3/8
10-100	35	199	171	165	3/8
8-80	43	223	191	185	1/2
15-150	43	223	191	185	1/2
20-200	43	223	191	185	1/2
15-150	60	250	206	200	1
30-300	60	250	206	200	1
50-500	60	250	206	200	1
100-1000	60	250	206	200	1

CODE:		Range (Ltr / hr)	Size (NB)	Price
Short Version PVC Without Magnet	SKPVC50/010	2.5-25	10	
	SKPVC51/010	5-50	10	
	SKPVC52/010	10-100	10	
	SKPVC60/015	8-80	15	
	SKPVC61/015	15-150	15	
	SKPVC62/015	20-200	15	
	SKPVC70/025	15-150	25	
	SKPVC71/025	30-300	25	
	SKPVC72/025	50-500	25	
	SKPVC73/025	100-1000	25	
Short Version PVC With Magnet	SKPVC500/010	2.5-25	10	
	SKPVC510/010	5-50	10	
	SKPVC520/010	10-100	10	
	SKPVC600/015	8-80	15	
	SKPVC610/015	15-150	15	
	SKPVC620/015	20-200	15	
	SKPVC700/025	15-150	25	
	SKPVC710/025	30-300	25	
	SKPVC720/025	50-500	25	
	SKPVC730/025	100-1000	25	

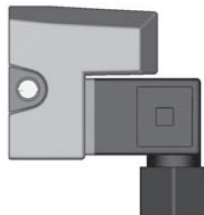
CODE:		Range (Ltr / hr)	Size (NB)	Price
Short Version PSU Without Magnet	SKPSU50/010	2.5-25	10	
	SKPSU51/010	5-50	10	
	SKPSU52/010	10-100	10	
	SKPSU60/015	8-80	15	
	SKPSU61/015	15-150	15	
	SKPSU62/015	20-200	15	
	SKPSU70/025	15-150	25	
	SKPSU71/025	30-300	25	
	SKPSU72/025	50-500	25	
	SKPSU73/025	100-1000	25	
Short Version PSU With Magnet	SKPSU500/010	2.5-25	10	
	SKPSU510/010	5-50	10	
	SKPSU520/010	10-100	10	
	SKPSU600/015	8-80	15	
	SKPSU610/015	15-150	15	
	SKPSU620/015	20-200	15	
	SKPSU700/025	15-150	25	
	SKPSU710/025	30-300	25	
	SKPSU720/025	50-500	25	
	SKPSU730/025	100-1000	25	

Limit Switches for Type 335, 350 & Short Version

CODE:		Type	Price
Limit Contact Minimum	VAGK10	min	



CODE:		Type	Price
Limit Contact Maximum	VAGK11	max	



Please refer to our Installation Guide