



Plastic Valves For Water Applications

FIP Double Union PVC Ball Valves

The FIP VE ball valves are ideally suited to conveying water & harmless fluids. The valves are full bore, with double unions and a safe block design offering fully adjustable removable seats. Ball seats are made from PE-PTFE technopolymer with EPDM O-rings. Valves are available with a PVC body, imperial socket and BSP threaded ends.


	CODE:	Size	Price
VE Ball Valve BSP Ends 	VFIPVEBSP/015	15mm	
	VFIPVEBSP/020	20mm	
	VFIPVEBSP/025	25mm	
	VFIPVEBSP/032	32mm	
	VFIPVEBSP/040	40mm	
	VFIPVE/BSP050	50mm	
	VFIPVEBSP/065	65mm	
	VFIPVEBSP/080	80mm	
	VFIPVE/BSP100	100mm	
	BSP Valve End	VAFIPBSP/015	15mm
VAFIPBSP/020		20mm	
VAFIPBSP/025		25mm	
VAFIPBSP/032		32mm	
VAFIPBSP/040		40mm	
VAFIPBSP/050		50mm	
VAFIPBSP/065		65mm	
VAFIPBSP/080		80mm	
VAFIPBSP/100		100mm	


	CODE:	Size	Price
VE Ball Valve Socketed Ends 	VFIPVE/015	15mm	
	VFIPVE/020	20mm	
	VFIPVE/025	25mm	
	VFIPVE/032	32mm	
	VFIPVE/040	40mm	
	VFIPVE/050	50mm	
	VFIPVE/065	65mm	
	VFIPVE/080	80mm	
	VFIPVE/100	100mm	
	Socket Valve End	VAFIPSOCKET/015	15mm
VAFIPSOCKET020		20mm	
VAFIPSOCKET/025		25mm	
VAFIPSOCKET/032		32mm	
VAFIPSOCKET/040		40mm	
VAFIPSOCKET/050		50mm	
VAFIPSOCKET/065		65mm	
VAFIPSOCKET/080		80mm	
VAFIPSOCKET/100		100mm	

FIP PVC Butterfly Valves

The FIP FE Wafer Butterfly Valve is an effective solution for the isolation of larger pipe systems with a size range from DN 40 up to DN200 mm. Valves are supplied with EPDM seals and stainless steel shafts as standard. Gear boxes and actuators can be added and are available on request.

The FK lugged version can be used as an end of line valve by fixing the bolts directly to the valve body.

	CODE:	Size	Price
FE Butterfly Valve Wafer Lever Handle 	VFIPFEX/050	50mm	
	VFIPFEX/065	65mm	
	VFIPFEX/080	80mm	
	VFIPFEX/100	100mm	
	VFIPFEX/125	125mm	
	VFIPFEX/150	150mm	
	VFIPFEX/200	200mm	
	VFIPFEX/250	250mm	
	VFIPFEX/300	300mm	


	CODE:	Size	Price
FK Butterfly Valve Lugged Lever Handle 	VFIPFKX/050	50mm	
	VFIPFKX/065	65mm	
	VFIPFKX/080	80mm	
	VFIPFKX/100	100mm	
	VFIPFKX/125	125mm	
	VFIPFKX/150	150mm	
	VFIPFKX/200	200mm	
	VFIPFKX/250	250mm	
	VFIPFKX/300	300mm	


PRICES INDICATED DO NOT INCLUDE GST



Spears PVC Swing Check Valve

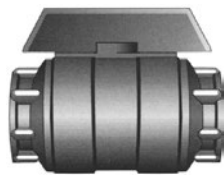
PVC utility swing check valves are ideally suited for a range of applications. Available either with or without a spring, they are an economic solution for ensuring flow in one direction only.


	CODE:	Size	Price
Spears PVC Swing Check Valve White 	S1520-05	15mm	
	S1520-07	20mm	
	S1520-10	25mm	
	S1520-12	32mm	
	S1520-15	40mm	
	S1520-20	50mm	
	S1520-30	80mm	
	S1520-40	100mm	
	S1520-60	150mm	

	CODE:	Size	Price
Spears PVC Spring Check Valve White 	S1580-05	15mm	
	S1580-07	20mm	
	S1580-10	25mm	
	S1580-12	32mm	
	S1580-15	40mm	
	S1580-20	50mm	
	S1580-30	80mm	
	S1580-40	100mm	

Philmac Valves

Philmac valves are manufactured from glass reinforced polypropylene (GRP). Their simple rugged construction makes them ideally suited for use above or below ground in irrigation and water distribution lines. Philmac Ball Valves are M&I Marine approved.

	CODE:	Size	Price
Philmac Ball Valve 	PHBV/015	15mm	
	PHBV/020	20mm	
	PHBV/025	25mm	
	PHBV/032	32mm	
	PHBV/040	40mm	
	PHBV/050	50mm	

	CODE:	Size	Price
Philmac Spring Check Valve 	PHNV/020	20mm	
	PHNV/025	25mm	
	PHNV/032	32mm	
	PHNV/040	40mm	
	PHNV/050	50mm	

+GF+ Coloro Ball Valves

The "Coloro" PVC Ball valves from +GF+ are an economical valve, ideal for many commercial applications, including spa pools and swimming pools, where a high degree of chemical resistance is not necessary. With all PVC construction, and high quality seats made from PE/PTFE, their superior quality and design compared with other one piece valves provides a high level of safety. The two piece body is permanently fused around an integral ball and stem, providing a non-adjustable valve that will provide a long maintenance and service free life.

	CODE:	Size	Price
+GF+ Coloro 355 "Union Style" BSP Ends 	VGf355/015	15mm	
	VGf355/020	20mm	
	VGf355/025	25mm	
	VGf355/032	32mm	
	VGf355/040	40mm	
	VGf355/050	50mm	

	CODE:	Size	Price
+GF+ Coloro 355 "Union Style" Socket Ends 	VGf355S/015	15mm	
	VGf355S/020	20mm	
	VGf355S/025	25mm	
	VGf355S/032	32mm	
	VGf355S/040	40mm	
	VGf355S/050	50mm	