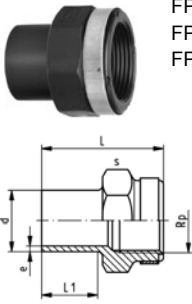


Industrial PE100 Pipe Fittings

Plastic Systems offer a range of PE fittings that are suitable for chemical applications, particularly for chemical storage tanks. If you have any further requirement for specialist fittings for chemical applications please contact us.

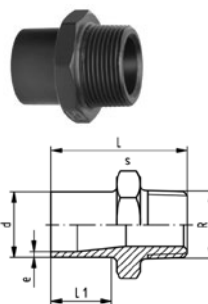
ADAPTOR SOCKET

CODE:		d (mm)	Rp (in)	DN (mm)	FM	Price
Adaptor Socket	FPEHADSOPT/020	20	½	15	IR	
SDR11, Metric Rp	FPEHADSOPT/025	25	¾	20	IR	
BSP Thread	FPEHADSOPT/032	32	1	25	IR	
	FPEHADSOPT/040	40	1¼	32	IR	
	FPEHADSOPT/050	50	1½	40	IR	
	FPEHADSOPT/063	63	2	50	IR	



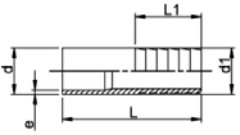
ADAPTOR NIPPLE

CODE:		d (mm)	R (in)	DN (mm)	FM	Price
Adaptor Nipple	FPEHNIPT/020	20	½	15	IR	
SDR11, Metric R	FPEHNIPT/025	25	¾	20	IR	
BSP Thread	FPEHNIPT/032	32	1	25	IR	
	FPEHNIPT/040	40	1¼	32	IR	
	FPEHNIPT/050	50	1½	40	IR	
	FPEHNIPT/063	63	2	50	IR	



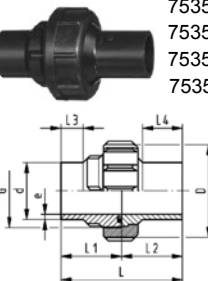
HOSE CONNECTOR

CODE:		d (mm)	D1 (in)	DN (mm)	FM	Price
Hose Connector	FPEHHOTSP/020	20	¾	15	IR	
SDR11, Metric	FPEHHOTSP/025	25	¾	20	IR	
	FPEHHOTSP/032	32	1	25	IR	
	FPEHHOTSP/040	40	1¼	32	IR	
	FPEHHOTSP/050	50	1½	40	IR	
	FPEHHOTSP/063	63	2	50	IR	




PE100 SOCKET UNION

CODE:		d (mm)	PN	FM	D1 (in)	DN (mm)	Price
SOCKET UNION	753518606	20	16	IR	48	1	
SDR11 EPDM	753518607	25	16	IR	58	1¼	
	753518608	32	16	IR	65	1½	
	753518609	40	16	IR	79	2	
	753518610	50	16	IR	91	2¼	
	753518611	63	16	IR	111	2¾	




PE100 SDR11 INDUSTRIAL PIPE (BLACK)

CODE:		SIZE (OD) mm	PRICE
PN16 (16 bar)	PPE16C100/025	25	
	PPE16C100/032	32	
	PPE16C100/040	40	
	PPE16C100/050	50	
	PPE16C100/063	63	



100 Metre Coil

CODE:		SIZE (OD) mm	PRICE
PN16 (16 bar)	PPE062331020	20	
	PPE062331025	25	
	PPE062331032	32	
	PPE062331040	40	
	PPE062331050	50	
	PPE062331063	63	
	PPE062331075	75	
	PPE062331090	90	
	PPE062331110	110	
	PPE062331125	125	
	PPE062331180	180	



6 Metre Lengths

PRICES INDICATED DO NOT INCLUDE GST



