

PVC-U Industrial +GF+ Metric Piping Systems Incl the PRO-FIT family

The +GF+ Metric PVC-U system is designed for industrial applications and is commonly used to convey chemicals, aggressive media and water. This European product range is produced from high quality raw materials specifically for demanding applications and for compatibility with the +GF+ range of industrial valving.

Applications:

- Water treatment
- Thermal baths and swimming pools
- Surfactant based central foaming systems
- Waste water treatment
- Sewage treatment plants
- Cooling water
- Drinking water treatment
- Food and beverage industries

Chemical Resistance

PVC-U has excellent chemical resistance against aqueous saline solutions, acids, alkalines, fuels and oils. Please contact Plastic Systems for full details of chemical resistance.

Related Documents


- Pipe Clips, Backing Rings and Dressing Sets Price List

PRO-FIT SYSTEM

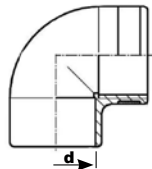
The PRO-FIT system offers installation advantages in both time and space savings. Six innovative spigot-socket fitting shapes provide the following benefits:

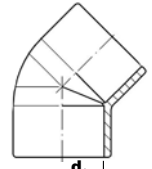
- Integrated cementing length and insertion depth marking makes handling faster, safer and easier.
- Direct jointing of fitting to fitting without extra pipe sections means less joints, quicker installations and space savings of up to 20%
- Dry assembly gives the ability to set up the installation before final cementing is carried out.
- 45° angles marked on both end face and socket and spigot branches means easy alignment and accurate angles.

+GF+ METRIC PVC-U PIPING PN16

	CODE:	SIZE (OD) mm	Wall Thickness	PRICE
	Pipe PN16	161017104	12	1
		161017105	16	1.2
		161017106	20	1.5
		161017107	25	1.9
		161017108	32	2.4
		161017109	40	3
		161017110	50	3.7
		161017111	63	4.7
		161017112	75	5.6
		161017113	90	6.7
		161017114	110	8.2
		161017115	125	9.3
	5 metre lengths	161017116	140	10.4
	161017117	160	11.9	

+GF+ METRIC PVC-U FITTINGS

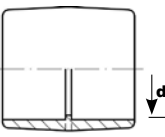
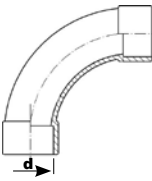
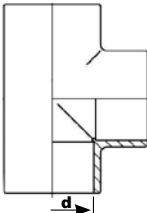
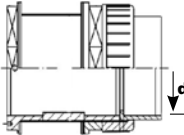

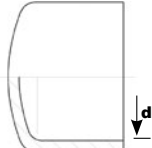
	CODE:	SIZE d	PRICE	
	Elbow 90°	721100104	12	
		721100105	16	
		721100106	20	
		721100107	25	
		721100108	32	
		721100109	40	
		721100110	50	
		721100111	63	
		721100112	75	
		721100113	90	
		721100114	110	
	PN16			

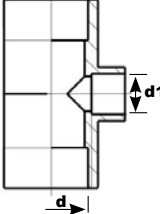
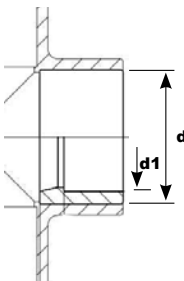
	CODE:	SIZE d	PRICE	
	Elbow 45°	721150105	16	
		721150106	20	
		721150107	25	
		721150108	32	
		721150109	40	
		721150110	50	
		721150111	63	
		721150112	75	
		721150113	90	
		721150114	110	
	PN16			

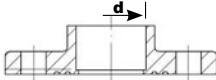
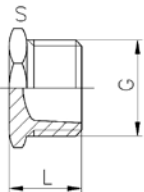
PRICES INDICATED DO NOT INCLUDE GST



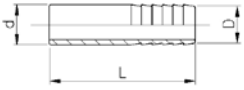
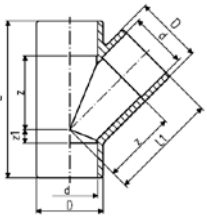
+GF+ METRIC PVC-U FITTINGS

	CODE:	SIZE d	PRICE	
Socket 	721910105	16		
	721910106	20		
	721910107	25		
	721910108	32		
	721910109	40		
	721910110	50		
	721910111	63		
	721910112	75		
	721910113	90		
	721910114	110		
	PN16			
Bend 90° 	721000107	25		
	721000108	32		
	721000109	40		
	721000110	50		
	721000111	63		
	721000112	75		
	721000113	90		
PN16				
Tee 90° 	721200105	16		
	721200106	20		
	721200107	25		
	721200108	32		
	721200109	40		
	721200110	50		
	721200111	63		
	721200112	75		
	721200113	90		
	721200114	110		
	PN16 Tank Adaptors with Union EPDM 	161050245	16	
161050246		20		
161050247		25		
161050248		32		
161050249		40		
161050250		50		
161050251		63		
PN16				
Stub Flange 	721800106	20		
	721800107	25		
	721800108	32		
	721800109	40		
	721800110	50		
	721790111	63		
	721790112	75		
	721790113	90		
	721790114	110		
	PN16			
	End Cap 	721960104	12	
721960105		16		
721960106		20		
721960107		25		
721960108		32		
721960109		40		
721960110		50		
721960111		63		
721960112		75		
721960113		90		
721960114		110		

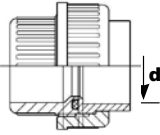
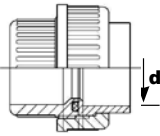
	CODE:	SIZE d	SIZE d1	PRICE
Tee 90° Reducing 	721200134	25	20	
	721200141	32	20	
	721200138	32	25	
	721200155	40	20	
	721200151	40	25	
	721200147	40	32	
	721200009	50	20	
	721200010	50	25	
	721200164	50	32	
	721200161	50	40	
	721200011	63	25	
	721200178	63	32	
	721200174	63	40	
721200170	63	50		
721200181	75	32		
PN16				
Reducing Bush Short 	721900331	16	12	
	721900334	20	16	
	721900337	25	20	
	721900342	32	20	
	721900341	32	25	
	721900348	40	20	
	721900347	40	25	
	721900346	40	32	
	721900355	50	20	
	721900354	50	25	
	721900353	50	32	
	721900352	50	40	
	721900360	63	32	
	721900359	63	40	
	721900358	63	50	
	721900365	75	50	
	721900364	75	63	
	721900372	90	50	
	721900371	90	63	
	721900370	90	75	
721900379	110	50		
721900378	110	63		
721900377	110	75		
721900376	110	90		
PN16				

	CODE:	SIZE d	PRICE
Full Face Flange ISO/DIN Bolt Pattern 	721740106	20	
	721740107	25	
	721740108	32	
	721740109	40	
	721740110	50	
	721740111	63	
	721740112	75	
	721740113	90	
	721740114	110	
	721740116	140	
	721740117	160	
PN10/PN16			
PVC PN10 Plug Taper 	721961905	3/8"	
	721961906	1/2"	
	721961907	3/4"	
	721961908	1"	
	721961911	2"	

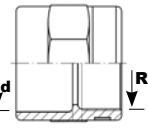
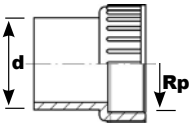
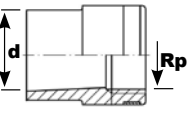
+GF+ METRIC PVC-U FITTINGS CONT...

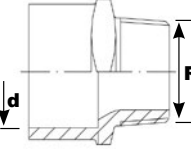
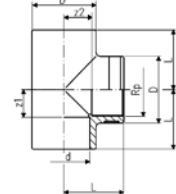
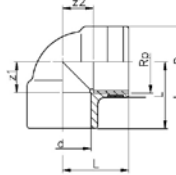
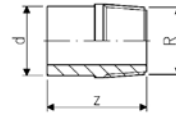
	CODE:	SIZE (OD)	PRICE
PVC Spigot Hosetail Parallel Hose Barb 	721960404	12	
	721960405	16	
	721960406	20	
	721960407	25	
	721960408	32	
	721960409	40	
	721960410	50	
	721960411	63	
PVC PN10 WYE 	721250105	16	
	721250107	25	
	721250108	32	
	721250109	40	
	721250110	50	
	721250111	63	
	721250112	75	

+GF+ METRIC PVC-U UNIONS

	CODE:	SIZE d	PRICE
Socket Unions EPDM 	721510105	16	
	721510106	20	
	721510107	25	
	721510108	32	
	721510109	40	
	721510110	50	
	721510111	63	
	721510112	75	
	721510313	90	
	721510114	110	
≤63mm = PN16 ≥75mm = PN10			
Socket Unions FPM 	721510128	10	
	721510129	12	
	721510130	16	
	721510131	20	
	721510132	25	
	721510133	32	
	721510134	40	
	721510135	50	
	721510136	63	
	721510137	75	
721510138	90		
721510139	110		
≤63mm = PN16 ≥75mm = PN10			

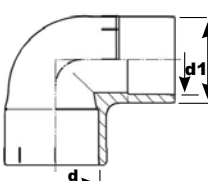
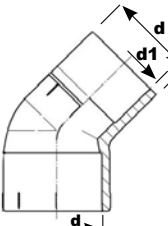
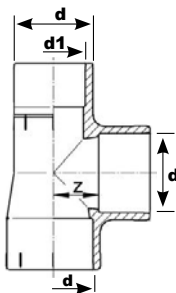
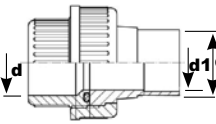
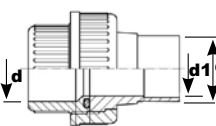
+GF+ METRIC PVC-U ADAPTOR FITTINGS

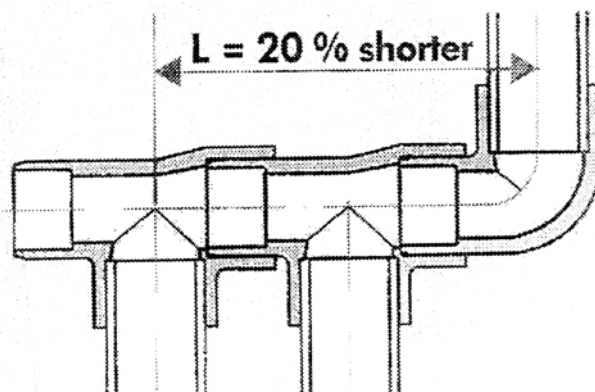
	CODE:	SIZE d	SIZE Rp	PRICE
Adaptor Socket 	VADPTSOPT/010	16	3/8"	
	VADPTSOPT/015	20	1/2"	
	VADPTSOPT/020	25	3/4"	
	VADPTSOPT/025	32	1"	
	VADPTSOPT/032	40	1 1/4"	
	VADPTSOPT/040	50	1 1/2"	
	VADPTSOPT/050	63	2"	
	VADPTSOPT/065	75	2 1/2"	
	VADPTSOPT/080	90	3"	
	VADPTSOPT/100	110	4"	
≤63mm = PN16 ≥75mm = PN10				
Female Adaptor 	721900406	20	1/2"	
	721900407	25	3/4"	
	721900408	32	1"	
	721900409	40	1 1/4"	
	721900410	50	1 1/2"	
	721900411	63	2"	
PN10				
Reducing Bush Plain/Threaded 	721910404	12	1/4"	
	721910434	20	3/8"	
	721910437	25	1/2"	
	721910441	32	3/4"	
	721910446	40	1"	
	721910452	50	1 1/4"	
PN16				

	CODE:	SIZE d	SIZE R	PRICE	
Male Adaptor 	721910705	16	3/8"		
	721910706	20	1/2"		
	721910707	25	3/4"		
	721910708	32	1"		
	721910709	40	1 1/4"		
	721910710	50	1 1/2"		
	721910711	63	2"		
	721910712	75	2 1/2"		
	721910713	90	3"		
	721910714	110	4"		
	PN16				
	PVC PN16 Tee Plain/Threaded 	721200205	16	3/8"	
		721200206	20	1/2"	
		721200207	25	3/4"	
721200208		32	1"		
721200209		40	1 1/4"		
721200210		50	1 1/2"		
721200211		63	2"		
PN16					
PVC Elbow 90° Plain/Threaded 	721100205	16	3/8"		
	721100206	20	1/2"		
	721100207	25	3/4"		
	721100208	32	1"		
	721100209	40	1 1/4"		
	721100210	50	1 1/2"		
	PN16				
PVC PN10 Adaptor Nipple 	721913505	16	3/8"		
	721913506	20	1/2"		
	721913507	25	3/4"		
	721913508	32	1"		
	PN10				

Note: Use only approved PTFE paste or tapes on threaded fittings

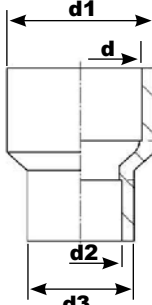
+GF+ PRO-FIT SYSTEM

	CODE:	SIZE		PRICE		
		d	d1			
Elbow 90° 	721100306	20	16			
	721100307	25	20			
	721100308	32	25			
	721100309	40	32			
	721100310	50	40			
	721100311	63	50			
PN16						
Elbow 45° 	721150306	20	16			
	721150307	25	20			
	721150308	32	25			
	721150309	40	32			
	721150310	50	40			
	721150311	63	50			
PN16						
Tee 90° 	721200306	20	16			
	721200307	25	20			
	721200308	32	25			
	721200309	40	32			
	721200310	50	40			
	721200311	63	50			
PN16						
Unions EPDM 	721510305	16	12			
	721510306	20	16			
	721510307	25	20			
	721510308	32	25			
	721510309	40	32			
	721510310	50	63			
	721510311	63	50			
	PN16					
	Unions FPM 	721510330	16		12	
721510331		20	16			
721510332		25	20			
721510333		32	25			
721510334		40	32			
721510335		50	63			
721510336		63	50			
PN16						



With direct connection from fitting to fitting allowing shortest possible overall length, the +GF+ Pro-Fit System saves

- Space
- Materials
- Time
- Number Of Joints

	CODE:	SIZE				PRICE
		d	d1	d2	d3	
Reducing Bush, Long 	721910903	8	12	10	-	
	721910905	12	16	8	12	
	721910906	12	16	10	16	
	721910908	16	20	10	16	
	721910909	16	20	12	16	
	721910910	20	25	12	16	
	721910911	20	25	16	20	
	721910912	25	32	12	16	
	721910913	25	32	16	20	
	721910914	25	32	20	25	
	721910915	32	40	16	20	
	721910916	32	40	20	25	
	721910917	32	40	25	32	
	721910918	40	50	20	25	
	721910919	40	50	25	32	
	721910920	40	50	32	40	
	721910921	50	63	25	32	
	721910922	50	63	32	40	
	721910923	50	63	40	50	
721910924	63	75	32	40		
721910925	63	75	40	50		
721910926	63	75	50	63		
721910927	75	90	40	50		
721910928	75	90	50	63		
721910929	75	90	63	75		
PN16						

Refer to Backing Rings & Dressing Sets
 PP Backing Rings for Chemical Applications
 PP Pipe Clips
 ISO/DIN 546