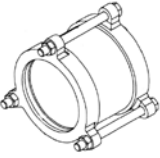
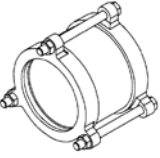
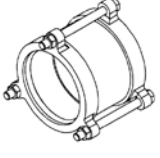
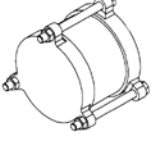
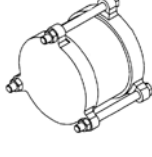


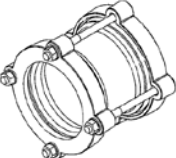
Gibaults, Tapping Bands, Expansion Joints & Riken Couplers

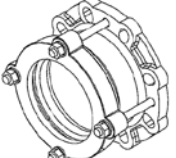
Nylon Coated Gibaults

	CODE:	NB	OD	Price
Gibault For Series 1 PVC 	CIGP050N	50	60	
	CIGP065N	65	76	
	CIGP080N	80	89	
	CIGP100N	100	114	
	CIGP125N	125	140	
	CIGP150N	150	160	
	CIGP175N	175	200	
	CIGP200N	200	225	
	CIGP225N	225	250	
	CIGP250N	250	280	
	CIGP300N	300	315	
	CIGP375N	375	400	
	Gibault For CI/DI 	CIGC050N	50	70
CIGC080N		80	96	
CIGC100N		100	122	
CIGC150N		150	177	
CIGC200N		200	232	
CIGC225N		225	259	
CIGC250N		250	286	
CIGC300N		300	345	
CIGC375N		375	426	

	CODE:	NB	OD	Price
Gibault Stepped For CI/DI to Series 1 PVC 	CIGS050N	50	70x60	
	CIGS080N	80	96x89	
	CIGS100N	100	122x114	
	CIGS150N	150	177x160	
	CIGS200N	200	232x225	
	CIGS225N	225	259x250	
	CIGS250N	250	286x280	
	CIGS300N	300	345x315	
	CIGS375N	375	426x400	
	Gibault Blank End For Series 1 PVC 	CIGP080BCN	80	89
CIGP100BCN		100	114	
CIGP125BCN		125	140	
CIGP150BCN		150	160	
CIGP175BCN		175	200	
Gibault Blank End For CI/DI 	CIGC100BCN	100	122	
	CIGC150BCN	150	177	

Nylon Coated Universal Posiseal Fittings

	CODE:	NB	OD	Price
Posiseal Coupler 	DIPSC050N	50	59-72	
	DIPSC080N	80	88-103	
	DIPSC100N	100	109-128	
	DIPSC125N	125	132-146	
	DIPSC150N	150	159-182	
	DIPSC175N	175	192-210	
	DIPSC200N	200	218-235	
	DIPSC225N	225	250-267	
	DIPSC250N	250	272-289	
	DIPSC300SN	300	315-332	
	DIPSC300LN	300	332-349	

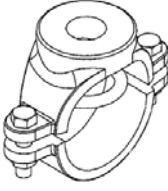
	CODE:	NB	OD	Price
Posiflange Adaptor 	DIPSFC080N	80	88-103	
	DIPSFC100N	100	109-128	
	DIPSFC150N	150	159-182	
	DIPSFC200N	200	218-235	
	DIPSFC250N	250	272-289	
	DIPSFC300SN	300	315-332	
	DIPSFC300LN	300	332-349	

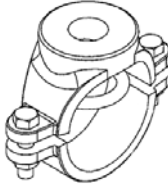
PRICES INDICATED DO NOT INCLUDE GST




Gibaults, Tapping Bands, Expansion Joints & Riken Couplers


Tapping Band For Series 1 PVC Pipe

	CODE:	NB	Price
Tapping Band For Series 1 PVC Nylon Coated 	CITBP050020	50x20	
	CITBP050025	50x25	
	CITBP050032	50x32	
	CITBP050040	50x40	
	CITBP065015	65x15	
	CITBP065020	65x20	
	CITBP065025	65x25	
	CITBP065032	65x32	
	CITBP065040	65x40	
	CITBP080015	80x15	
	CITBP080020	80x20	
	CITBP080025	80x25	
	CITBP080032	80x32	
	CITBP080040	80x40	
	CITBP080050	80x50	
	CITBP100015	100x15	
	CITBP100020	100x20	
	CITBP100025	100x25	
	CITBP100032	100x32	
	CITBP100040	100x40	
	CITBP100050	100x50	
	CITBP125015	125x15	
	CITBP125020	125x20	
	CITBP125025	125x25	
	CITBP125032	125x32	
CITBP125040	125x40		
CITBP125050	125x50		


	CODE:	NB	Price
Tapping Band For Series 1 PVC 	CITBP150015	150x15	
	CITBP150020	150x20	
	CITBP150025	150x25	
	CITBP150032	150x32	
	CITBP150040	150x40	
	CITBP150050	150x50	
	CITBP175015	175x15	
	CITBP175020	175x20	
	CITBP175025	175x25	
	CITBP175032	175x32	
	CITBP175040	175x40	
	CITBP175050	175x50	
	CITBP200015	200x15	
	CITBP200020	200x20	
	CITBP200025	200x25	
	CITBP200032	200x32	
	CITBP200040	200x40	
	CITBP200050	200x50	
	CITBP225015	225x15	
	CITBP225020	225x20	
	CITBP225025	225x25	
	CITBP225032	225x32	
	CITBP225040	225x40	
	CITBP225050	225x50	


Galvanised Riken Fittings

	CODE:	OD	Price
Coupling Complete With Lockrings 	MGRIKEN/015	15	
	MGRIKEN/020	20	
	MGRIKEN/025	25	
	MGRIKEN/032	32	
	MGRIKEN/040	40	
	MGRIKEN/050	50	

	CODE:	OD	Price
Male Adaptor Complete With Lockring 	MGRIKENMALE/015	15	
	MGRIKENMALE/020	20	
	MGRIKENMALE/025	25	
	MGRIKENMALE/032	32	
	MGRIKENMALE/040	40	
	MGRIKENMALE/050	50	

Flexible Expansion Joints

	CODE:	NB	Price
Expansion Joint Single Sphere 	FLFLEX/050TE	50	
	FLFLEX/065TE	65	
	FLFLEX/080TE	80	
	FLFLEX/100TE	100	
	FLFLEX/125TE	125	
	FLFLEX/150TE	150	
	FLFLEX/200TE	200	
	FLFLEX/250TE	250	
	FLFLEX/300TE	300	

	CODE:	NB	Price
Expansion Joint Dual Sphere 	FLFLEX/080TED	80	
	FLFLEX/100TED	100	
	FLFLEX/150TED	150	
	FLFLEX/200TED	200	
	FLFLEX/250TED	250	
	FLFLEX/300TED	300	