

Asmuss Ductile Iron Fittings Nylon Coated

Certified Product

The Asmuss range of Ductile Iron Fittings are manufactured and certified to AS/NZS2280, Ductile Iron Pipes and Fittings.

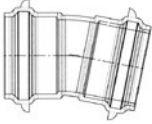
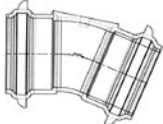
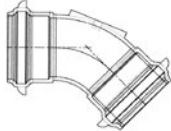
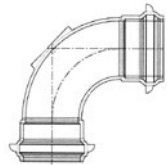
These products have been assessed by SAI Global in relation to AS/NZS2280.

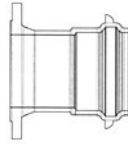
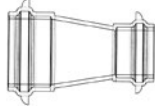
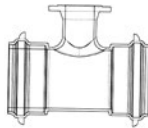
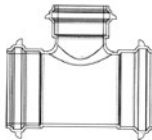
Asmuss Ductile Iron Fittings are supplied with a Polymeric coating to AS/NZS4158, for maximum corrosion protection.

Flanged fittings are drilled to AS/NZS4087 PN16 for D.I. (fig. B5), however other drilling standards are available on request.

Flanged branch tees marked with an "H*" (80mm & 100mm) are slotted and will suit a standard AS/NZS4087 drilling and AS2129 3 1/2" (90) - hydrant drilling.

All Double Seal fittings can be supplied with sealing rings to suit either Series 1 or Series 2 pipe. Please specify at time of ordering.

	CODE:	NB (mm)	Price
Socket Bend 11.25° Double Seal 	DIBRRJ11100DS-N	100	
	DIBRRJ11150DS-N	150	
	DIBRRJ11200DS-N	200	
Socket Bend 22.5° Double Seal 	DIBRRJ22100DS-N	100	
	DIBRRJ22150DS-N	150	
	DIBRRJ22200DS-N	200	
Socket Bend 45° Double Seal 	DIBRRJ45100DS-N	100	
	DIBRRJ45150DS-N	150	
	DIBRRJ45200DS-N	200	
Socket Bend 90° Double Seal 	DIBRRJ90100DS-N	100	
	DIBRRJ90150DS-N	150	
	DIBRRJ90200DS-N	200	

	CODE:	NB (mm)	Price
Socket Flange Adaptor Double Seal 	DIFS100DS-N	100	
	DIFS150DS-N	150	
	DIFS200DS-N	200	
Socket Reducer Double Seal 	DIRRRJ150100DS-N	150 x 100	
	DIRRRJ200100DS-N	200 x 100	
	DIRRRJ200150DS-N	200 x 150	
Socket Branch Flanged Tee Double Seal  *Hydrant drilling on 80 & 100mm branches	DIRRJBFT100080DS-N	100 x 80H*	
	DIRRJBFT100100DS-N	100 x 100H*	
	DIRRJBFT150080DS-N	150 x 80H*	
	DIRRJBFT150100DS-N	150 x 100H*	
	DIRRJBFT150150DS-N	150 x 150	
	DIRRJBFT200080DS-N	200 x 80H*	
	DIRRJBFT200100DS-N	200 x 100H*	
	DIRRJBFT200150DS-N	200 x 150	
DIRRJBFT200200DS-N	200 x 200		
Socket Tee Double Seal 	DIRRJT100100DS-N	100 x 100	
	DIRRJT150100DS-N	150 x 100	
	DIRRJT150150DS-N	150 x 150	
	DIRRJT200100DS-N	200 x 100	
	DIRRJT200150DS-N	200 x 150	
	DIRRJT200200DS-N	200 x 200	

LARGER SIZES ARE AVAILABLE ON REQUEST

PRICES INDICATED DO NOT INCLUDE GST



Asmuss Plastic Systems Limited

FREEPHONE: 0800 000 546 Facsimile: (64) (9) 477 - 2328

sales@plasticsystems.co.nz

34 Arrenway Drive, North Shore City 0632

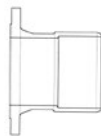
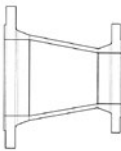
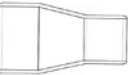
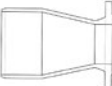
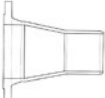


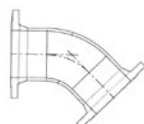

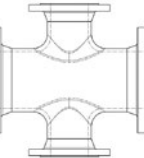
P.O. Box 100244, North Shore City 0745, Auckland, NZ

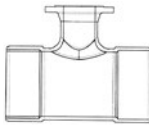
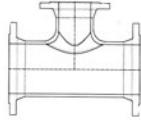
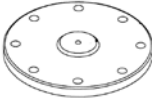






Pipe • Fittings • Valving • Measurement & Control

www.plasticsystems.co.nz

Ductile Iron

	CODE:	NB	Price
Spigot Flange Adaptor 	DIFAC080-N	80	
	DIFAC100-N	100	
	DIFAC150-N	150	
	DIFAC200-N	200	
	DIFAC225-N	225	
	DIFAC250-N	250	
	DIFAC300-N	300	
	DIFAC375-N	375	
Flanged Reducer 	DIRF100080-N	100 x 80	
	DIRF150100-N	150 x 100	
	DIRF200100-N	200 x 100	
	DIRF200150-N	200 x 150	
	DIRF225200-N	225 x 200	
	DIRF250150-N	250 x 150	
	DIRF250200-N	250 x 200	
	DIRF250225-N	250 x 225	
	DIRF300150-N	300 x 150	
	DIRF300200-N	300 x 200	
	DIRF300250-N	300 x 250	
	DIRF375300-N	375 x 300	
	Spigot Reducer 	DIRP150100-N	150 x 100
Spigot Flange Reducer 	DIRFSE100080-N	100 x 080	
Flange Spigot Reducer 	DIRFLE100080-N DIRFLE150100-N DIRFLE200150-N	100 x 80 150 x 100 200 x 150	
Flanged Bend 11.25° 	DIBF11100-N	100	
	DIBF11150-N	150	
	DIBF11200-N	200	
	DIBF11250-N	250	
	DIBF11300-N	300	
Flanged Bend 22.5° 	DIBF22100-N	100	
	DIBF22150-N	150	
	DIBF22200-N	200	
	DIBF22250-N	250	
	DIBF22300-N	300	
Flanged Bend 45° 	DIBF45100-N	100	
	DIBF45150-N	150	
	DIBF45200-N	200	
	DIBF45250-N	250	
	DIBF45300-N	300	
	DIBF45300-N	300	
	DIBF45375-N	375	
Flanged Bend 90° 	DIBF90080-N	80	
	DIBF90100-N	100	
	DIBF90150-N	150	
	DIBF90200-N	200	
	DIBF90250-N	250	
	DIBF90300-N	300	
	DIBF90375-N	375	
Flanged Cross 	DICF100100-N	100x100	
	DICF150100-N	150x100	
	DICF150150-N	150x150	
	DICF200200-N	200x200	

	CODE:	NB	Price	
Spigot - Flanged Branch Tee 	DITBF100100-N	100 x 100H*		
	DITBF150080-N	150 x 80H*		
	DITBF150100-N	150 x 100H*		
	DITBF150150-N	150 x 150		
	DITBF200100-N	200 x 100		
	DITBF200150-N	200 x 150		
	DITBF200200-N	200 x 200		
	DITBF250100-N	250 x 100H*		
	DITBF300100-N	300 x 100H*		
	DITBF300150-N	300 x 150		
	*Hydrant drilling on 80 & 100mm branches			
	Flanged Tee 	DITF080080-N	80 x 80	
		DITF100080-N	100 x 80H*	
DITF100100-N		100 x 100		
DITF150080-N		150 x 80H*		
DITF150100-N		150 x 100		
DITF150150-N		150 x 150		
DITF200080-N		200 x 80H*		
DITF200100-N		200 x 100		
DITF200150-N		200 x 150		
DITF200200-N		200 x 200		
DITF250080-N		250 x 80H*		
DITF250100-N		250 x 100		
DITF250150-N		250 x 150		
DITF250250-N		250 x 250		
DITF300080-N		300 x 80H*		
DITF300100-N		300 x 100		
DITF300150-N		300 x 150		
DITF300200-N		300 x 200		
DITF300300-N		300 x 300		
DITF375100-N		375 x 100H*		
* Optional 400 drilling for 375 flanges				
* DITF375200-N		375 x 200		
* DITF375375-N		375 x 375		
Blank Flange 	DIBF080-N	80		
	DIBF100-N	100		
	DIBF150-N	150		
	DIBF200-N	200		
	DIBF250-N	250		
	DIBF300-N	300		
	DIBF375-N	375		
Blank Flange, Tapped 	DIBF080T-N	80		
	DIBF100T-N	100		
	DIBF150T-N	150		
	DIBF200T-N	200		
	DIBF250T-N	250		
	DIBF300T-N	300		
	DIBF375T-N	375		
Hydrant Riser 	DIHR100-N	100		
	DIHR150-N	150		
	DIHR225-N	225		
	DIHR300-N	300		
	DIHR450-N	450		
	DIHR600-N	600		
	DIHR150050-N	150 x 50 BSP		
	DIHR300050-N	300 x 50 BSP		
	Universal drilling pattern to suit 80mm or hydrants			
Pipe Straight 	DIPDF080225-N	80 x 225L		
	DIPDF100150-N	100 x 150L		
	DIPDF100225-N	100 x 225L		
	DIPDF100300-N	100 x 300L		
	DIPDF100500-N	100 x 500L		
	DIPDF1001000-N	100 x 1000L		
	DIPDF150300-N	150 x 300L		
	DIPDF150500-N	150 x 500L		
	DIPDF1501000-N	150 x 1000L		
	DIPDF200300-N	200 x 300L		
	DIPDF200500-N	200 x 500L		
	DIPDF2001000-N	200 x 1000L		
	DIPDF300500-N	300 x 500L		
DIPDF3001000-N	300 x 1000L			
Pipe Straight with Puddle Flange 	DIPDF1001000PF-N	100 x 1000L		
	DIPDF1501000PF-N	150 x 1000L		
	DIPDF2001000PF-N	200 x 1000L		
	DIPDF3001000PF-N	300 x 1000L		