

ALBANY

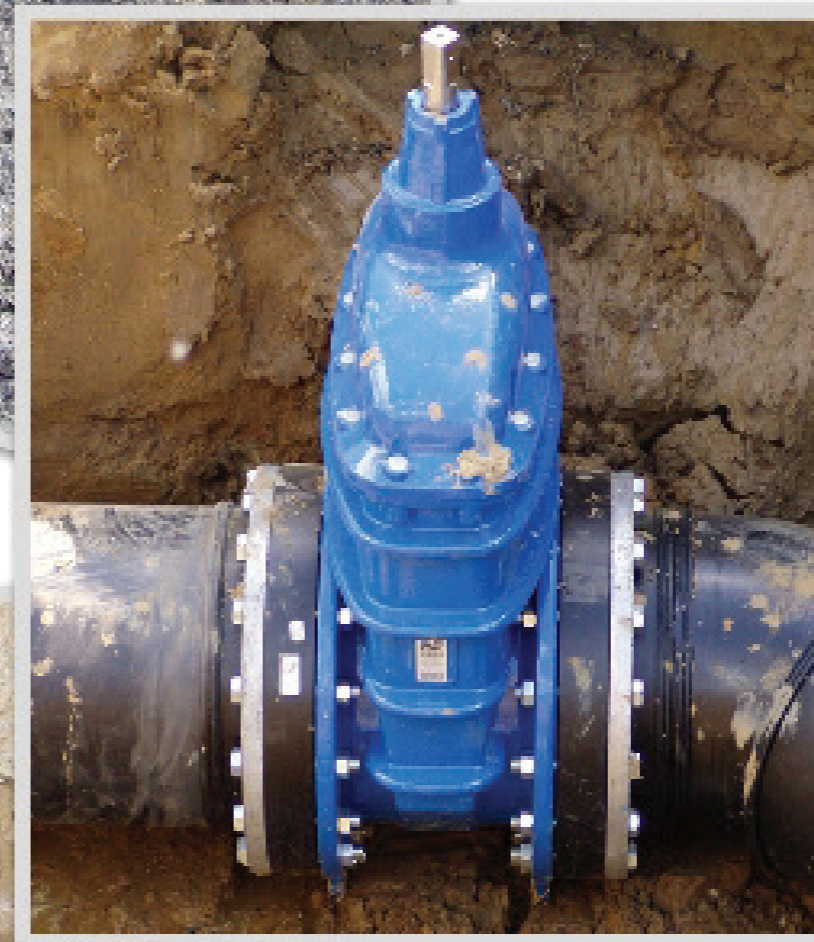
Ph: (64) (9) 477 2320
Fx: (64) (9) 477 2328
sales@plasticsystems.co.nz
34 Arrenway Drive, North Harbour
P.O. Box 100244, N.S.M.C

MT WELLINGTON

8a Clemow Drive
Mt Wellington, Auckland
Ph:(64) (9) 573 0030
Fx: (64) (9) 573 0040

SOCKBURN

5 Paradyne Place, Sockburn
Christchurch
Ph: (64) (3) 348 4087
Fx: (64) (3) 343 0953



**FULL FACE PN16
SLIM FLANGES**

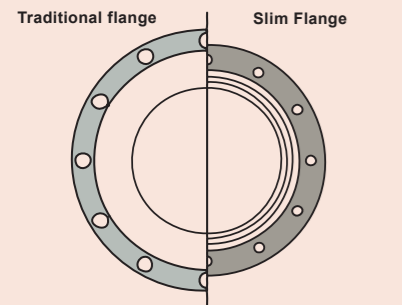
Benefits Of An Injection Moulded, True Slim Flange

Slim Flanges are not new in NZ, however the term is used in a broad sense and not all slim flanges offer the same features or benefits.

A slim flange is a flanged adaptor designed to link pipe with a varying outside diameter to a metal fitting or valve with the same flanged drilling pattern. A true slim flange offers the following benefits:

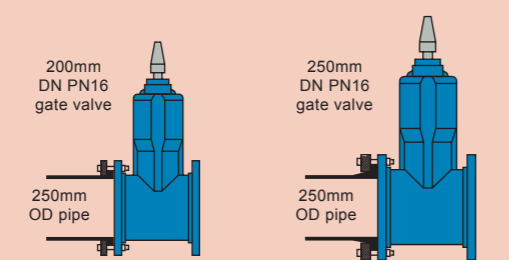
- Full and smooth bore maintained, enabling full flow capacity and ease of cleaning and CCTV inspection.
- No upsizing of metal valves or fittings required, thus reducing costs

In addition to these benefits, the new Fusion Slim Flange is a completely moulded fitting, PN16 rated, with a full faced flange and a long spigot providing a uniquely robust connection.

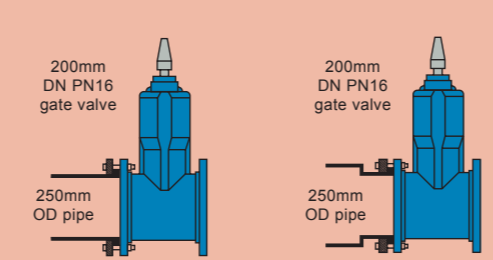


Traditional flange **Slim Flange**

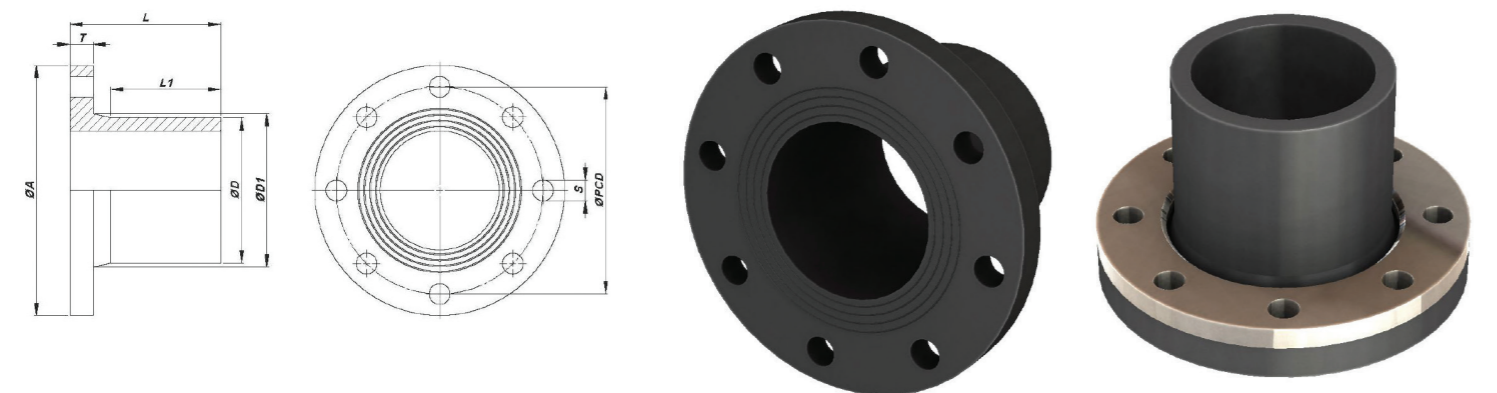
Unique Solution
The SlimFlange has the same size bore as a traditional PE Flange, but has a smaller backing ring bolt circle diameter



No Upsizing
A 250mm SlimFlange connects 250mm OD (outside diameter) PE pipe directly to a 200mm DN PN16 valve. A traditional 250mm PE flange requires a 250mm ID (internal diameter) PN16 valve for bolting to match.



No Safety Compromise
SlimFlange does not lead to loss of strength, unlike PE 'combination' flanges. Size-for-size capability is not achieved by temporary PE bore reduction, which weakens the fitting and increases the potential for blockage.



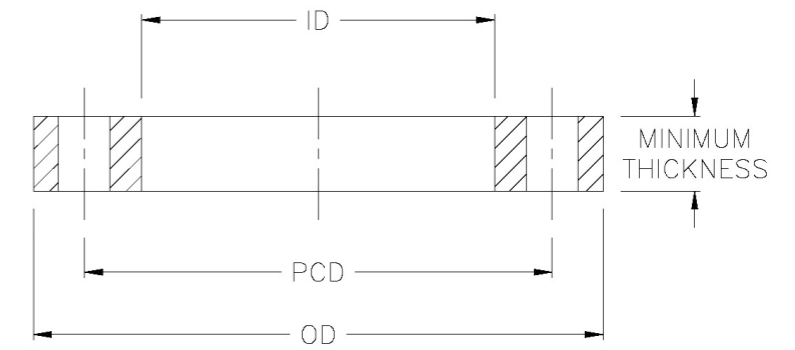
HDPE Slim Flange with Stainless Steel 316 Backing Ring

PRODUCT CODE	FITTING SIZE	DIAMETER NOMINAL DN (mm)	MATERIAL	SDR	PRESSURE RATING WATER	ØD (mm)	ØD1 (mm)	L (mm)	L1 (mm)	T (mm)	ØA (mm)	PCD (mm)	s (mm)	HOLES (mm)
SLIMFLANGEFFSS/250X200	250mm x 8"	200	PE100	11	PN 16	250	253	197	120	35	335	292	22	8 x Ø22
SLIMFLANGEFFSS/315X250	315mm x 10"	250	PE100	11	PN 16	315	315	230	190	40	405	356	22	8 x Ø22
SLIMFLANGEFFSS/355X300	355mm x 12"	300	PE100	11	PN 16	355	357	241	190	45	455	406	22	12 x Ø22

HDPE Slim Flange with Fusion Bonded Epoxy Backing Ring

PRODUCT CODE	FITTING SIZE	DIAMETER NOMINAL DN (mm)	MATERIAL	SDR	PRESSURE RATING WATER	ØD (mm)	ØD1 (mm)	L (mm)	L1 (mm)	T (mm)	ØA (mm)	PCD (mm)	s (mm)	HOLES (mm)
SLIMFLANGEFFN/250X200	250mm x 8"	200	PE100	11	PN 16	250	253	197	120	35	335	292	22	8 x Ø22
SLIMFLANGEFFN/315X250	315mm x 10"	250	PE100	11	PN 16	315	315	230	190	40	405	356	22	8 x Ø22
SLIMFLANGEFFN/355X300	355mm x 12"	300	PE100	11	PN 16	355	357	241	190	45	455	406	22	12 x Ø22

Steel Backing Flanges AS 4087 PN16



Nominal Pipe OD	Flange Size	OD	ID	Minimum Thickness	PCD	Bolt Hole No. x Dia.	Bolt Size
63	50	150	78	11	114	4X18	M16
75	65	165	92	11	127	4X18	M16
90	80	185	108	11	146	4X18	M16
110	100	215	128	13	178	4X18	M16
160	150	280	178	13	235	8X18	M16
200	200	335	235	19	292	8X18	M16
225	225	370	238	19	324	8X18	M16
250	250	405	288	19	356	8X22	M20
315	300	455	338	23	406	12X22	M20
355	350	525	376	30	470	12X26	M24
n/a	375	550	n/a	30	495	12X26	M24
400	400	580	430	30	521	12X26	M24
450	450	640	470	30	584	12X26	M24
500	500	705	533	38	641	16X26	M24
630	600	825	645	48	756	16X30	M27
710	700	910	740	56	845	20X30	M27
n/a	750	995	n/a	56	927	20X33	M30
800	800	1060	843	56	984	20X36	M33
900	900	1175	947	66	1092	24X36	M33
1000	1000	1255	1050	66	1175	24X36	M33
1200	1200	1490	-	76	1410	32X36	M33

NOTE: This table has bolting compatibility with AS 2129 Table D flanges.

Source: PIPA Industry Guidelines | Metal Backing Flanges for use with Polyethylene (PE) Pipe Flange Adaptors