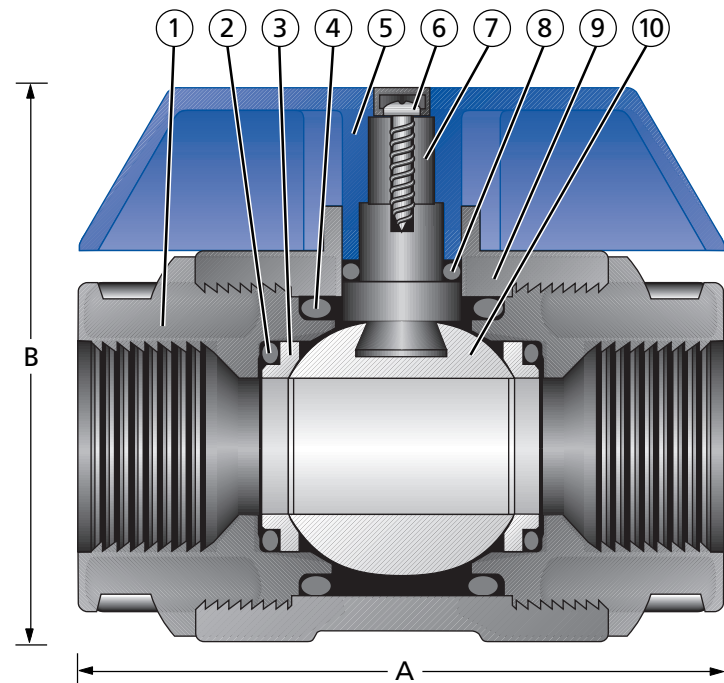


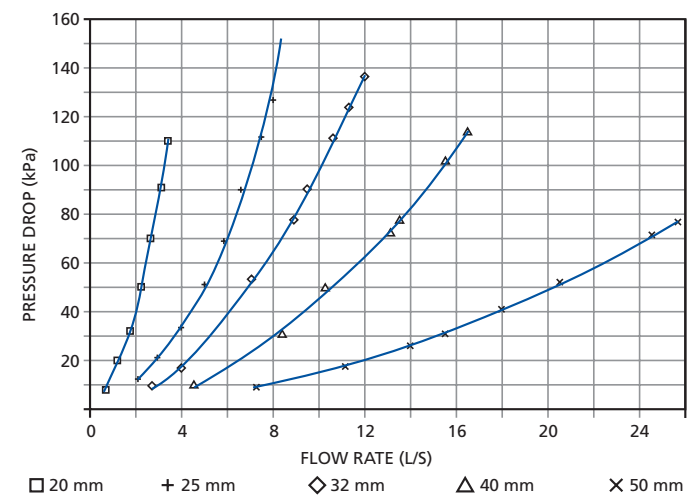
S P E C I F I C A T I O N S



Parts

No	Description	No. Req.
1	End Cap	2
2	Seal Ring 'O'Ring	2
3	Seal Ring	2
4	End Cap 'O'Ring	2
5	Handle	1
6	Fastening Screw	1
7	Spindle	1
8	Spindle 'O'Ring	1
9	Body	1
10	Ball	1

Flow rate vs Pressure drop



Dimensions

Valve Size (mm)	Thread Size (BSP)	Dimension A (mm)	Dimension B (mm)
15	1/2"	79	72
20	3/4"	86	72
25	1"	98	82
32	1 1/4"	110	91
40	1 1/2"	120	101
50	2"	136	119



Quality Endorsed Company
ISO 9002 Lic 2608
Standards Australia



Philmac GPS

Philmac Pty Ltd 53-59 Deeds Road,
North Plympton. S.A. 5037. Australia
Telephone (08) 8300 9200 Facsimile (08) 8300 9390
Web: <http://www.philmac.com.au>

Glynwed

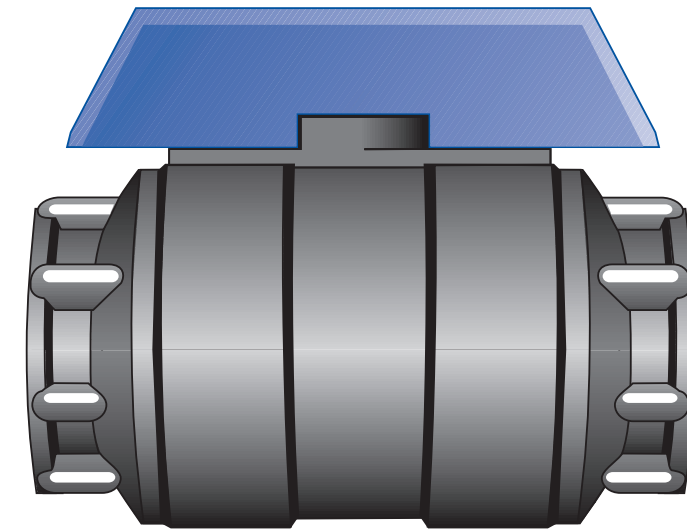
A Glynwed International Company

Please note that the information, opinions, recommendations and advice given on this specification sheet are supplied only to provide an improved understanding of the technical aspects of Philmac valves. So far as the law allows, Philmac Pty. Ltd. will not accept liability in respect of any loss or damage of any kind claimed to arise as a result of reliance upon any information contained on this specification sheet. Please refer to our Terms and Conditions of Supply of Goods.

LE/009/11-97

SPECIFICATION SHEET

Philmac Ball Valves



Philmac Plastic Ball Valves are suitable for use above or below ground in irrigation and water distribution lines. The valves are fast to operate, compact and may be used for throttling as well as ON/OFF control. The valves function across a wide range of optional pressures.

Features

- Maximum static operating pressure: 1400 kPa at 20°C.
- High flow capacity.
- Glass reinforced engineering plastic for heavy duty service.
- Ball seals manufactured from internally lubricated material for smooth action and abrasion resistance.
- Nitrile rubber O-rings for sealing performance.
- Parts replaceable for future servicing.
- Suitable for contact with potable water - complies with AS3855.
- Suitable for use with standard NPK agricultural fluids.
- Corrosion and UV resistant (for special applications contact your local Philmac representative)

Installation

Can be used for either metal or plastic pipe systems. Philmac PTFE tape is recommended on BSP threads for a positive seal.

Range

Valve Size	15mm	20mm	25mm	32mm	40mm	50mm
Thread Size (FI BSP)	1/2"	3/4"	1"	1 1/4"	1 1/2"	2"
Ref. No.	5001	5002	5003	5004	5005	5006

Philmac manufacture a range of complementary fittings and valves to complete the system.

Philmac®